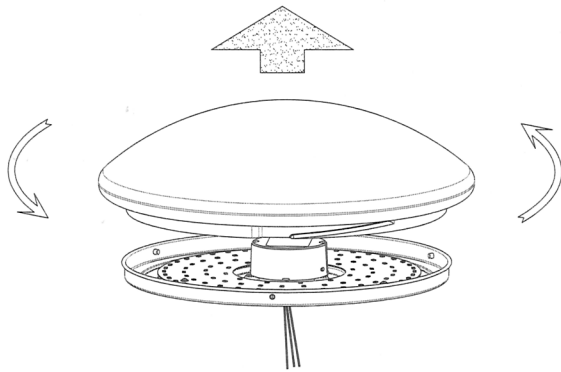
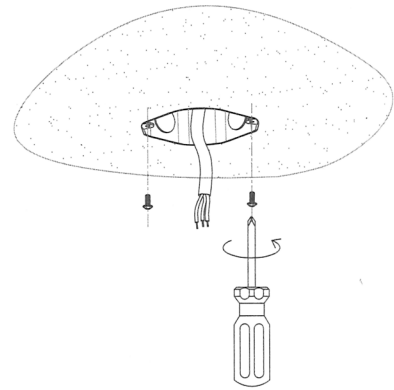


# LED Ceiling Light Installation Instruction:

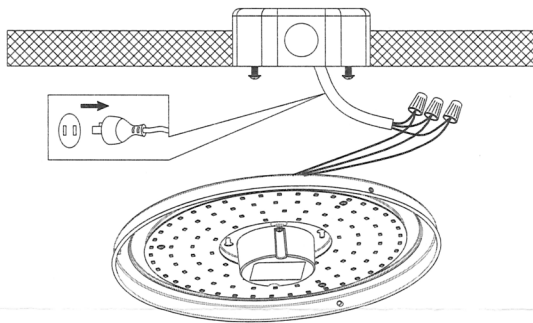
## 1.Procedures:



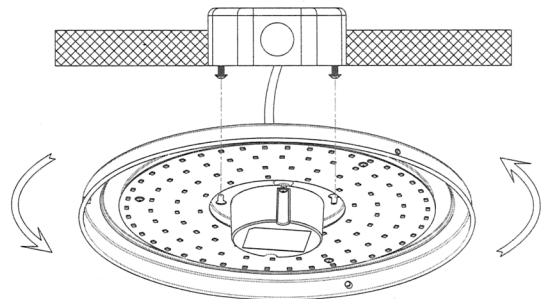
1).Unpack the box and twist off the lamp cover.



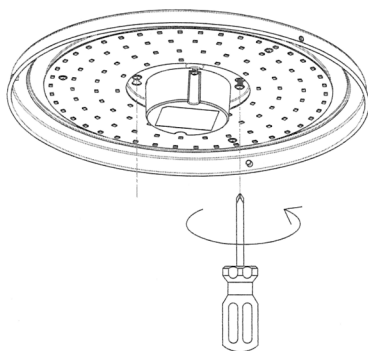
2).mounting screws .



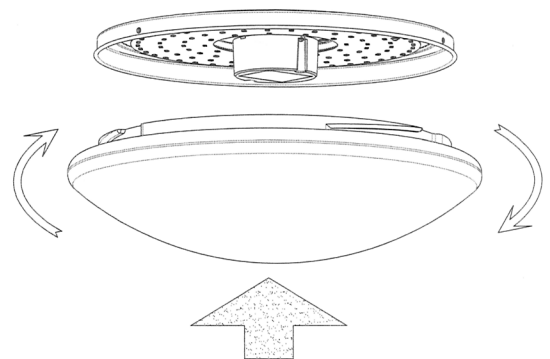
3).Connect the wire according to L/N/ E instruction .



4).Insert wire into junction box ,then rotate panel when justify the screws at the screw holes.

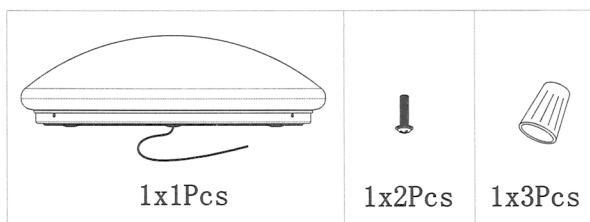


5).Tighten the screws and make sure the lamp is well mounted.



6).Put on the lamp cover.

## 2.Parts included:



## 3.Necessary Tools:

